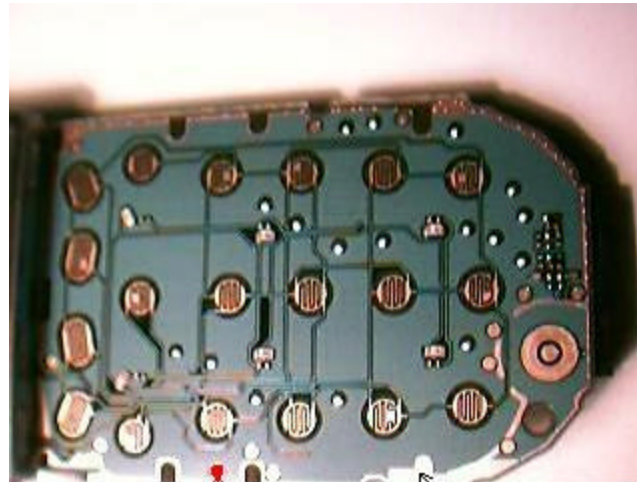


How to boot A50 to can be the unlocking accepted

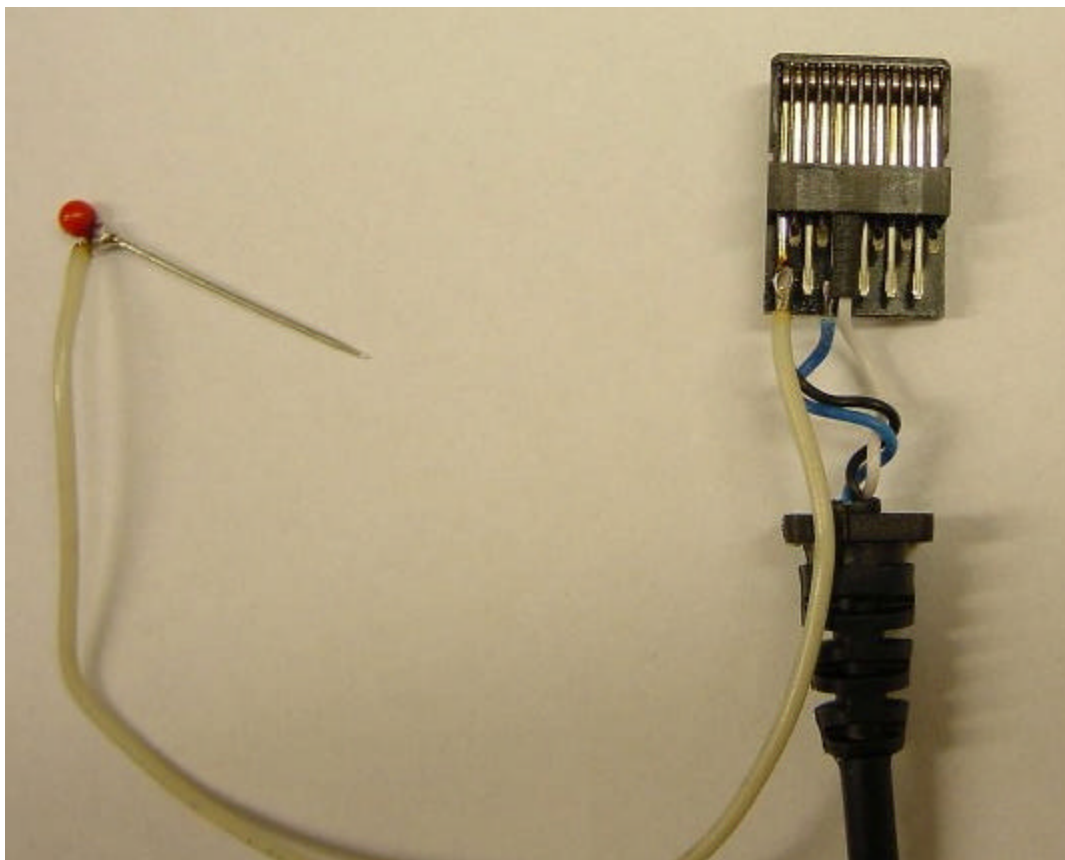


here is TestPoint,

here is GND

connect this to GND and after this press PowerON button, boot will be accepted...

or use this solution for gnd

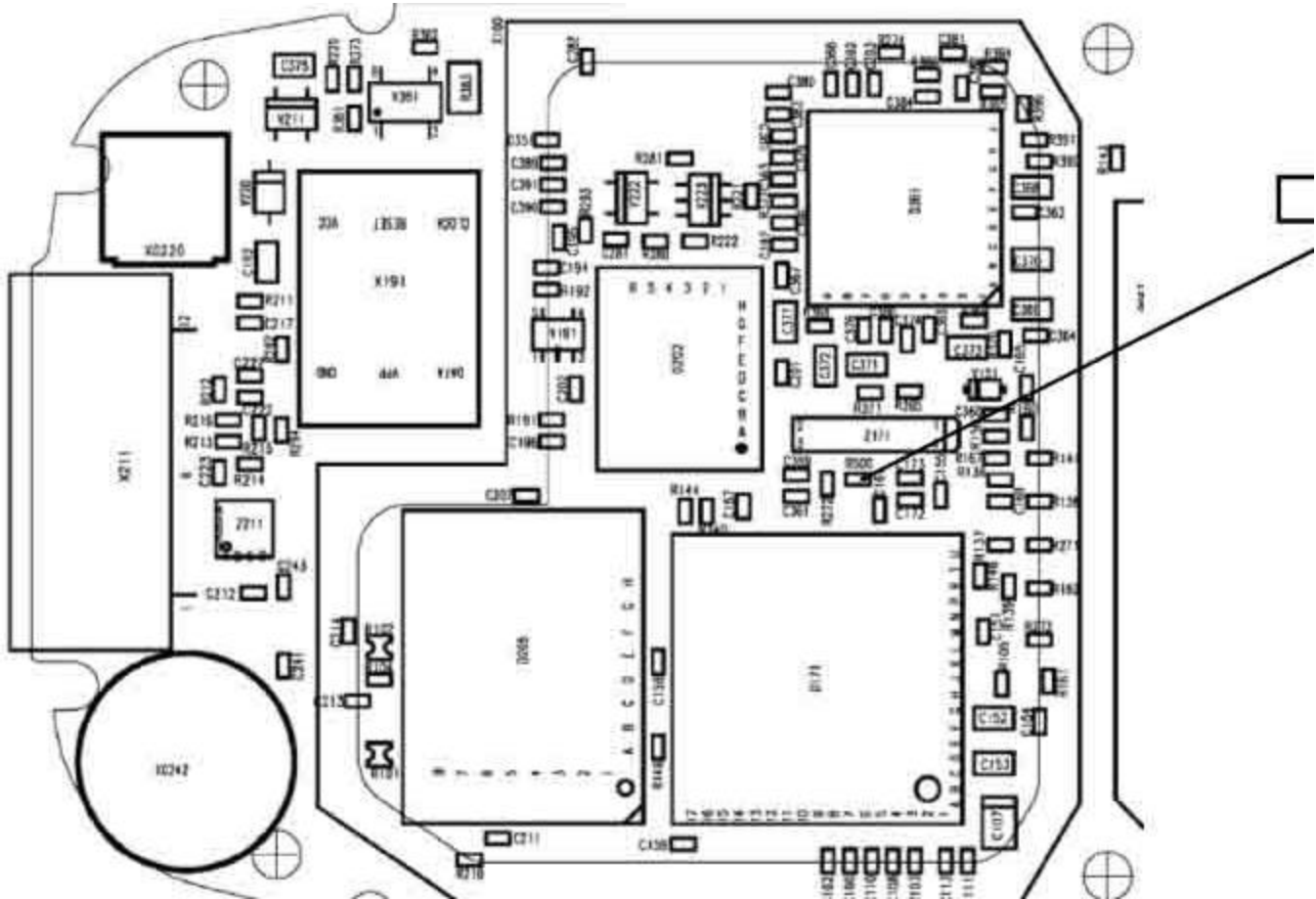


Siemens C55 Pinouts

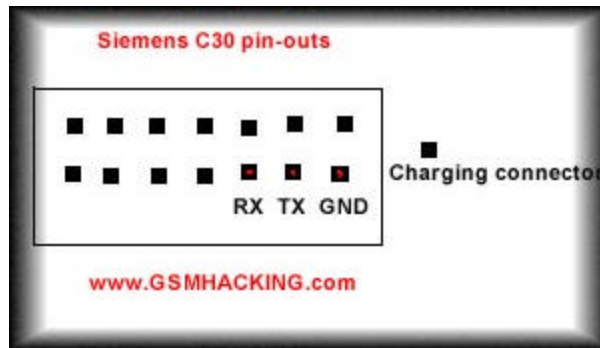


- 1 = Ladestrom +
- 2 = GND (Masse) -
- 3 = Data Out (Pin5 vom alten)
- 4 = Data In (Pin6 vom alten)
- 5 = ? (Pull Down 112K)
- 6 = ? (Pull Down 112K)
- 7 = ? (Pull Down 112K)
- 8 = ? (Pull Up)
- 9 = Ext. Lautsprecher
- 10 = Ext. Lautsprecher
- 11 = Ext. Mikro GND
- 12 = Ext. Mikro Input

To can you boot the phone you have to unsolder this resistor R500 as shown here:



Siemens C30 Pinouts & Schematic Cable

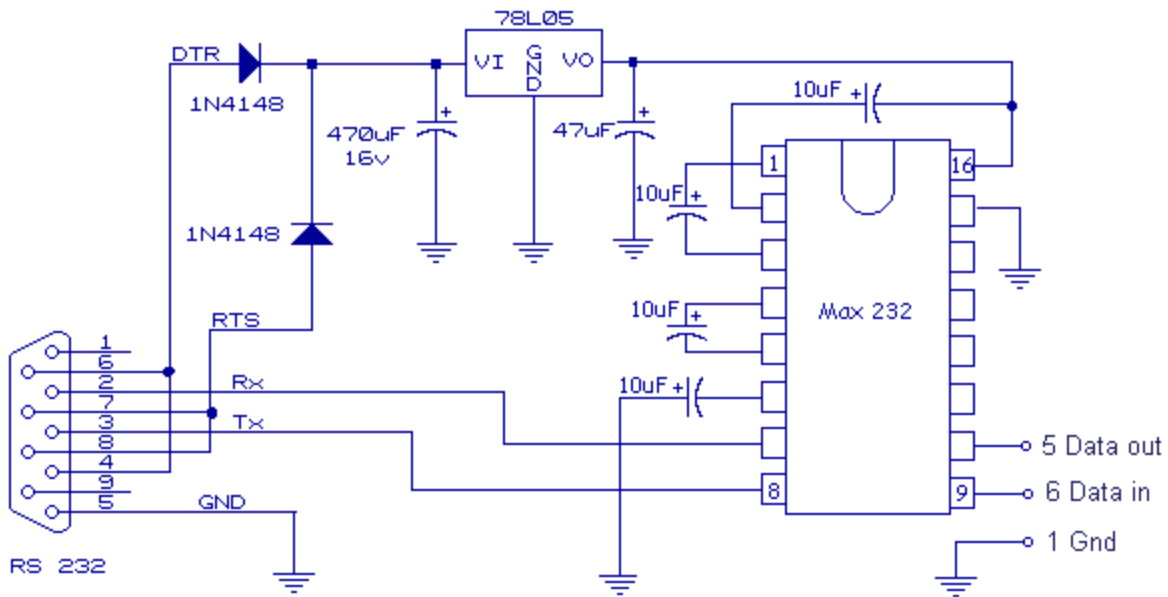


Siemens S-40 Pinouts & Schematic Cable

Siemens S-40 pin outs

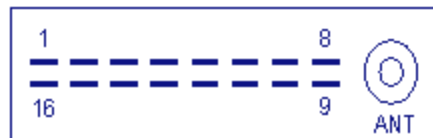


All SIEMENS phones cable interface



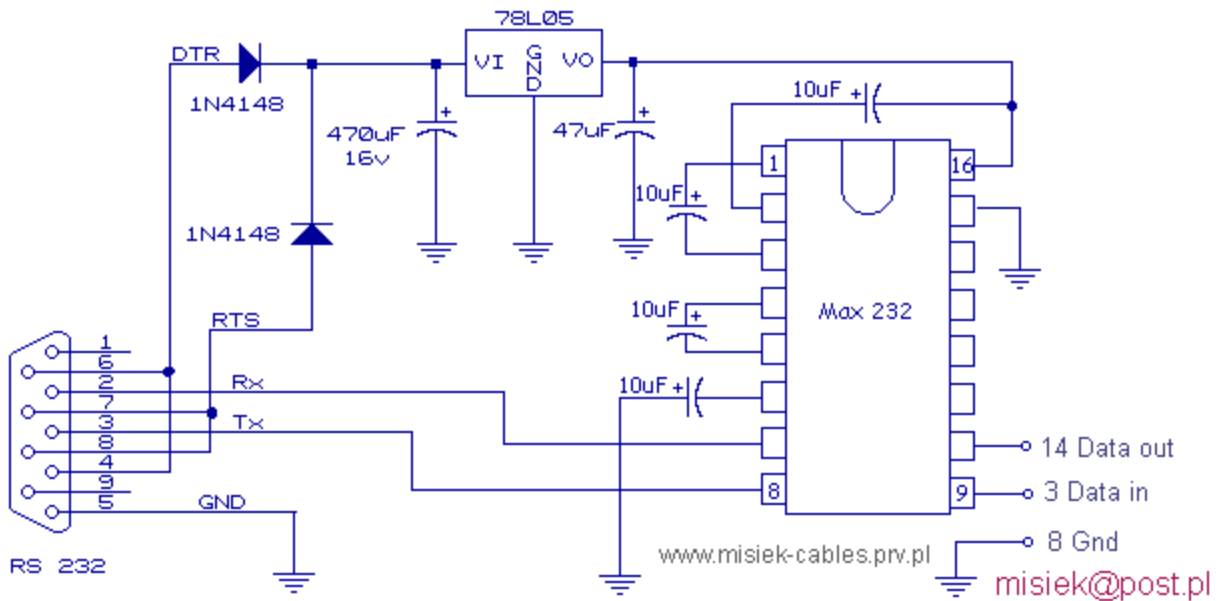
Siemens S10/S11 and S1088 Pinouts & Schematic Cable

Siemens S10/S11 S1088 Pinout



Pin	Name	Function	in/out
1	LOAD	Charging voltage	in
2	BATTERY	Battery	out
3	DATA IN	Data received [S6, S8pin=2]	in
4	Antena	Antena	
5	???		
6	???		
7	MICG	Ground for microphone	in
8	GND	Ground	
9	GND	Ground	
10	Earphone	Earphone	
11	MIC	Microphone input	
12	AUD	Loudspeaker	out
13	???		
14	DATA OUT	Data sent [S6, S8pin=15]	out
15	???		
16	???		

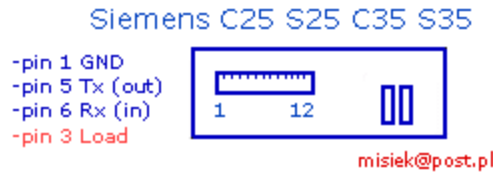
Siemens Interface S10 S11 S1088 by Misiek



Siemens SL10 Pinouts & Schematic Cable

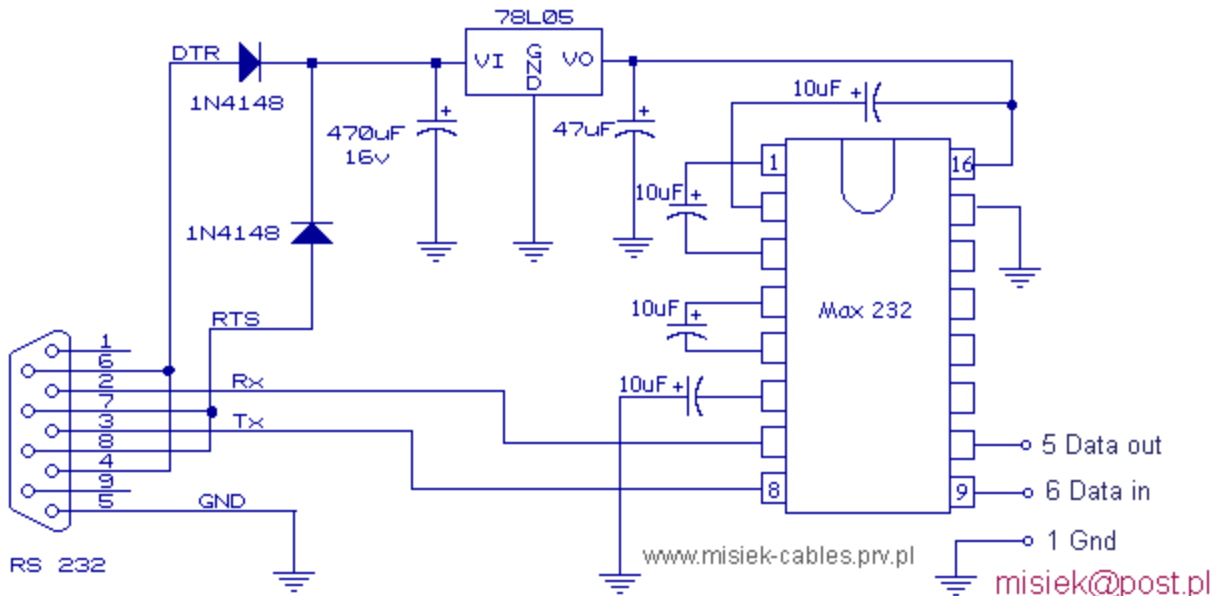


Siemens C2x, S25, C,S,M35,A3x, SL45, C,S,ME 45, S46, A50 Pinouts & Schematic Cable



Pin	Name	Function	in/out
1	GND	Ground	
2	SELF-SERVICE	Recognition/control battery charger	in/out
3	LOAD	Charging voltage	in
4	BATTERY	Battery	out
5	DATA OUT	Data sent	out
6	DATA IN	Data received	in
7	Z_CLK	Recognition/control accessories	
8	Z_DATA	Recognition/control accessories	
9	MICG	Ground for microphone	in
10	MIC	Microphone input	
11	AUD	Loudspeaker	out
12	AUDG	Ground for external speaker	

Siemens Interface C25 S25 by Misiek



The new scheme with AUTO-IGNITION by Andromeda for all siemens

